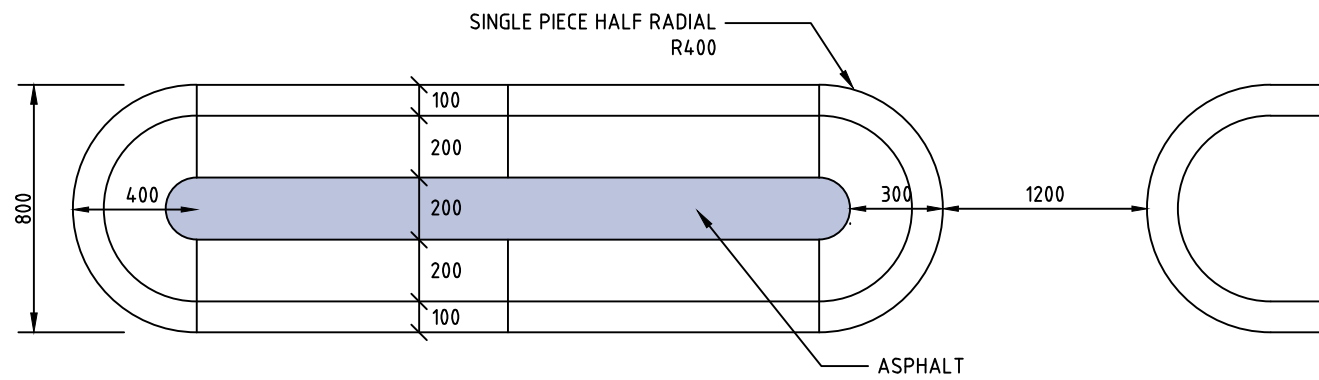


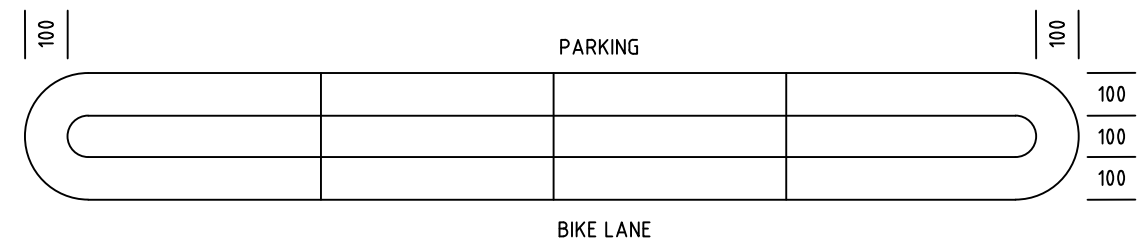
800mm WIDE SEPARATOR ISLANDS



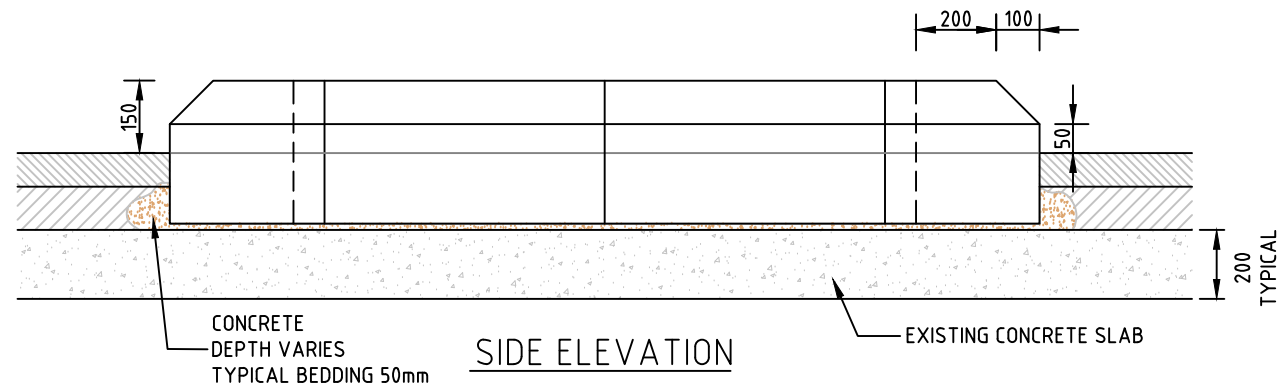
10-12 METRES LENGTH WITH GAPS BETWEEN ISLANDS
ALIGNED WITH ENDS OF PARKING BAYS

TYPICAL INSTALLATION

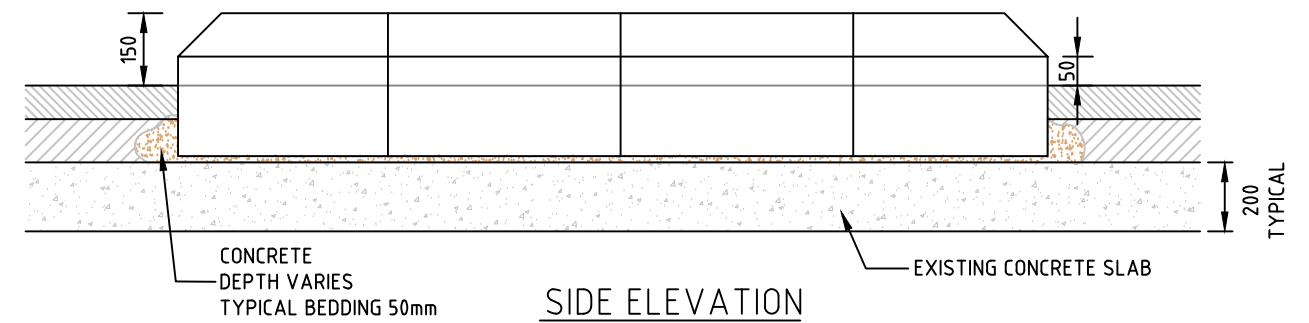
300mm WIDE SEPARATOR KERBS



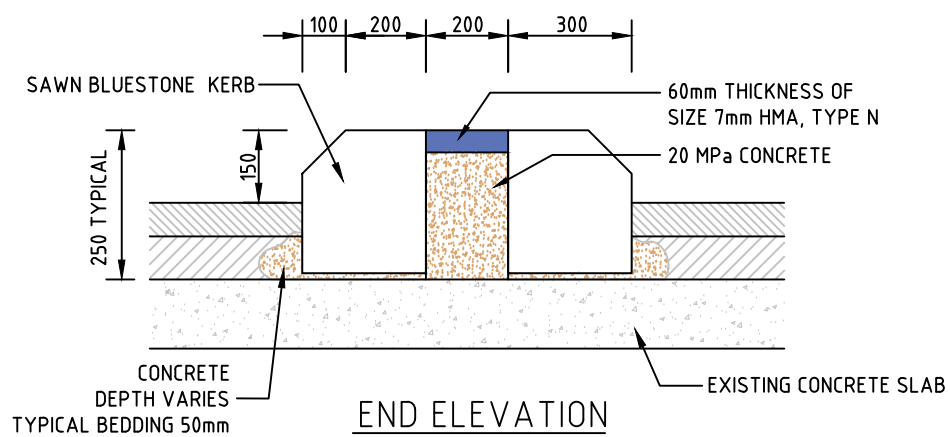
TYPICAL INSTALLATION



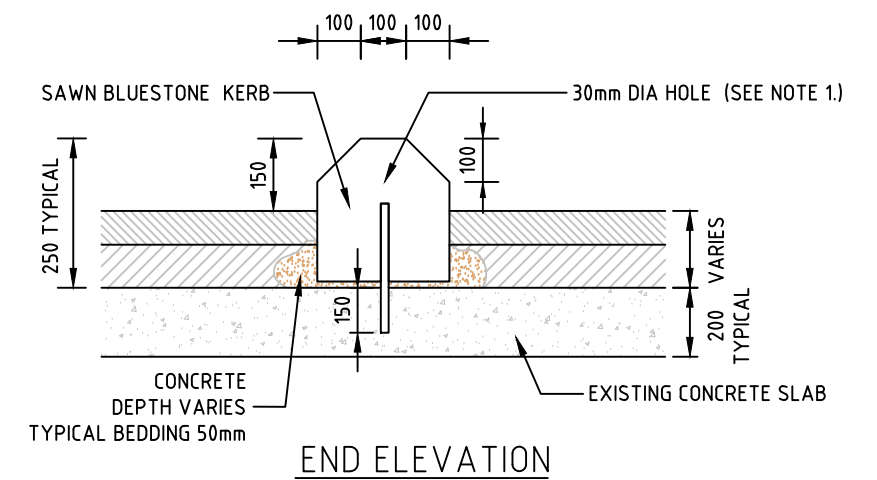
SIDE ELEVATION



SIDE ELEVATION



END ELEVATION



END ELEVATION

NOTE:

1. INSTALL 250-300mm LONG, M24 GALVANIZED DOWEL AT 500mm SPACING, (2 PER BLOCK) 150mm INTO PRE-MANUFACTURED 30mm DIAMETER HOLE AND EXISTING CONCRETE SLAB.
2. ALL DIMENSIONS ARE IN MILLIMETRES.

NOT TO SCALE



CITY OF MELBOURNE

Rev.	Revision Details	By	Date

TYPICAL SECTIONS BICYCLE SEPARATOR ISLANDS BLUESTONE KERB ON CONCRETE SLAB WITH ANGLED CHAMFER

ENGINEERING SERVICES BRANCH

Approved By

Drawing Number

1P 50520

Principal Engineer
Infrastructure

Manager
Engineering Services

Revision

A

Date Jun, 2019

Date Jun, 2019

Docs