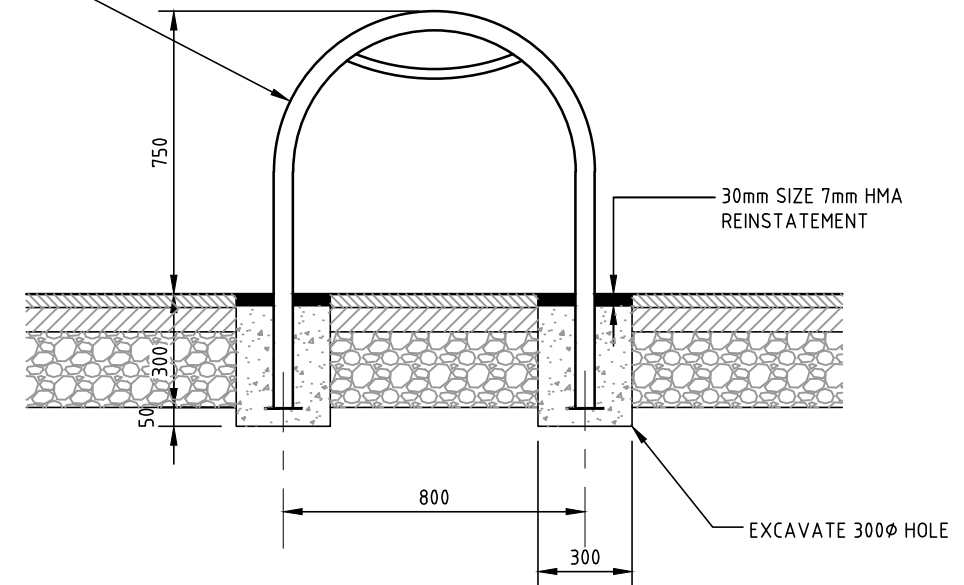
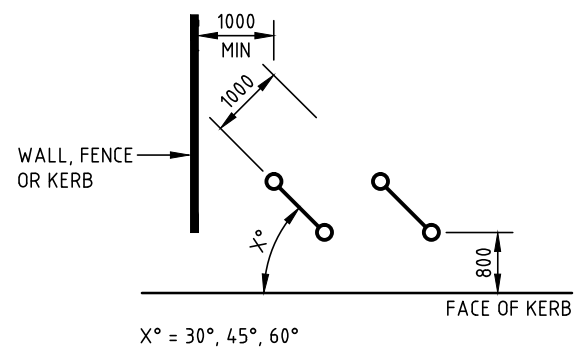


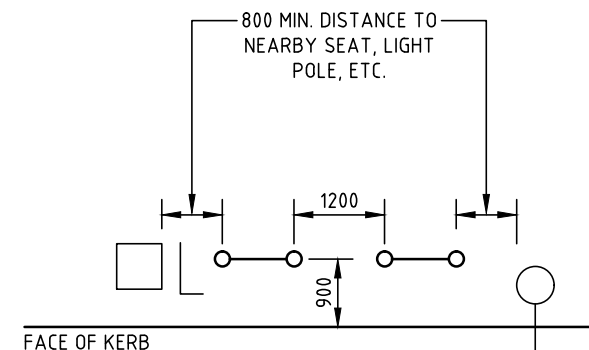
**SIDE ELEVATION  
BLUESTONE PAVING INSTALLATION**



**SIDE ELEVATION  
ASPHALT PAVEMENT INSTALLATION**



**TYPICAL INSTALLATION  
ANGLED TO FACE OF KERB**



**TYPICAL INSTALLATION  
PARALLEL TO FACE OF KERB**

**NOTE:**  
WHERE BIKE STANDS ARE INSTALLED ADJACENT TO PARKED VEHICLES,  
THE OFFSET FROM FACE OF KERB IS TO BE INCREASED TO 1.00m

NOT TO SCALE



Rev.	Revision Details	By	Date
C	REVISED BIKE HOOP PROFILE	MB	Sept, 13
B	REVISED BIKE HOOP PROFILE	MB	Oct, 12
A			Nov, 10

**STAINLESS STEEL BIKE STAND  
INSTALLATION DETAILS**

**ENGINEERING SERVICES BRANCH**

Approved By		Drawing Number	
Principal Engineer Infrastructure		1P 50512	
Manager Engineering Services		Revision	
Date Oct, 2012		C	
Date Oct, 2012		Docs	