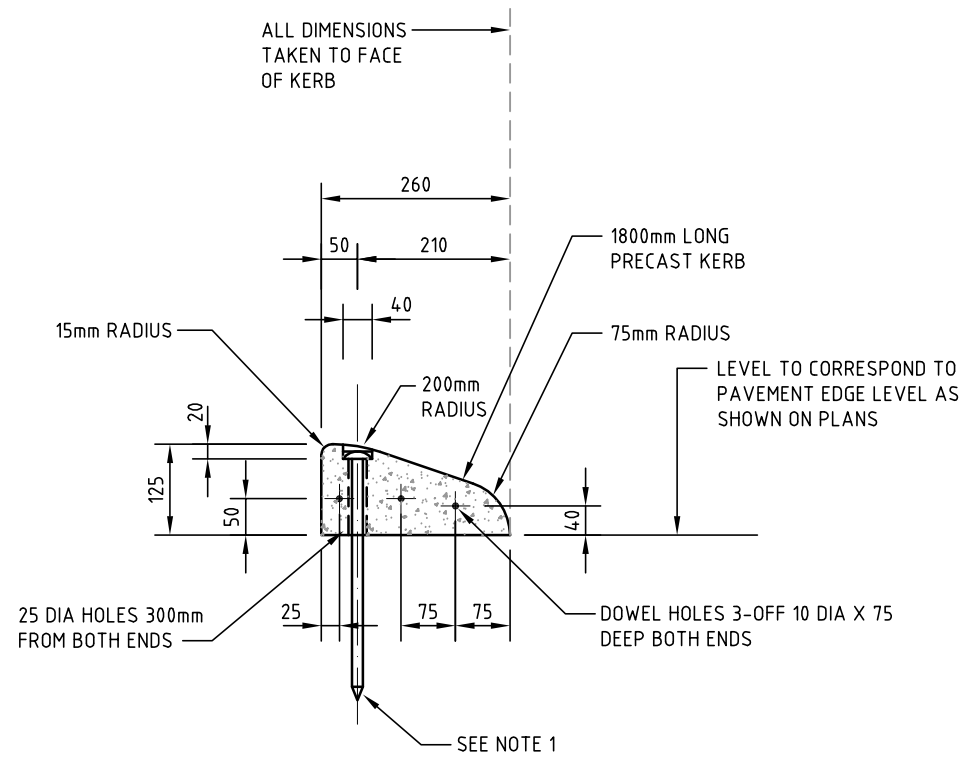


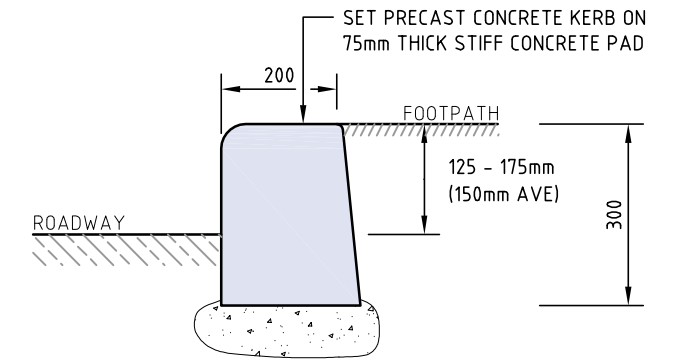
NOTE:

1. POINTED STEEL SPIKE 15 DIA x 300mm LONG (DRILL HOLE IN PAVEMENT BEFORE DRIVING SPIKE)

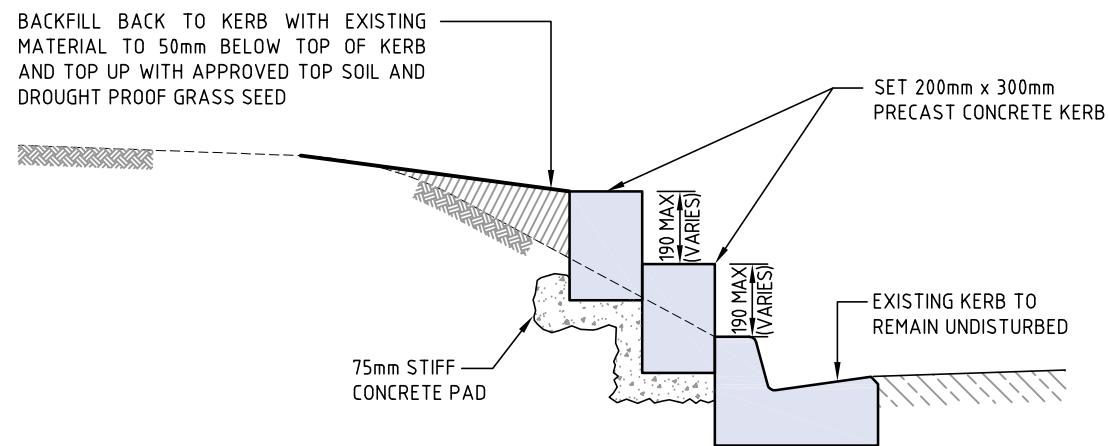
SPIKE DOWN KERB DETAIL



SEMI-MOUNTABLE SPIKED KERB



PRECAST CONCRETE KERB SETTING DETAIL



TWO TIER KERB DETAIL

NOT TO SCALE



CITY OF MELBOURNE

Rev.	Revision Details	By	Date

PRECAST KERB AND CHANNEL SETTING DETAILS

ENGINEERING SERVICES BRANCH

Approved By		Drawing Number	
Principal Engineer Infrastructure		1P 50505	
Date		Revision	
Nov, 2010	Nov, 2010	B	
Date		Docs	
Nov, 2010	Nov, 2010		