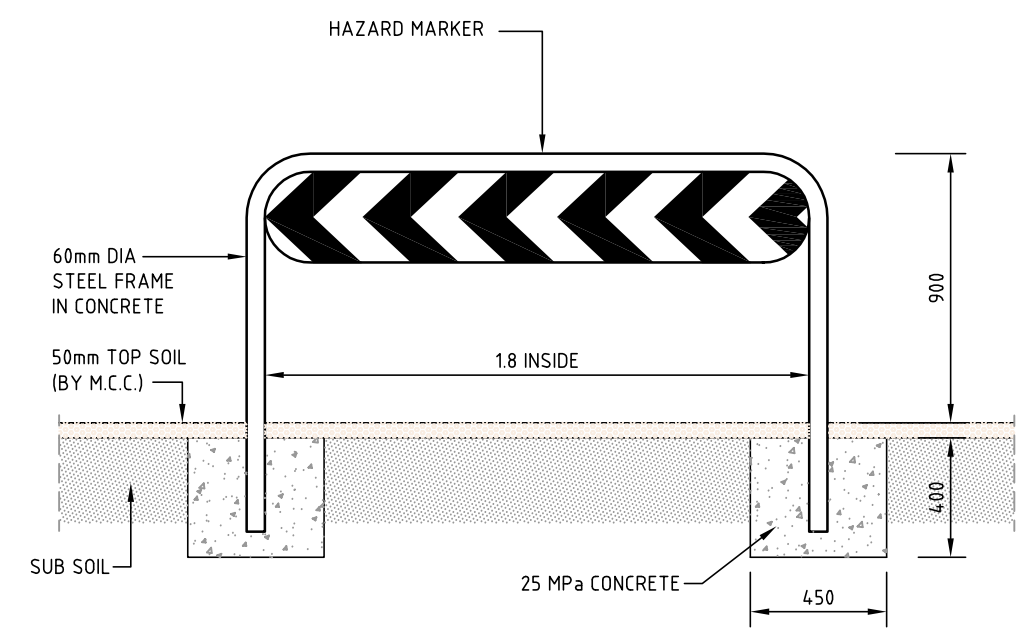
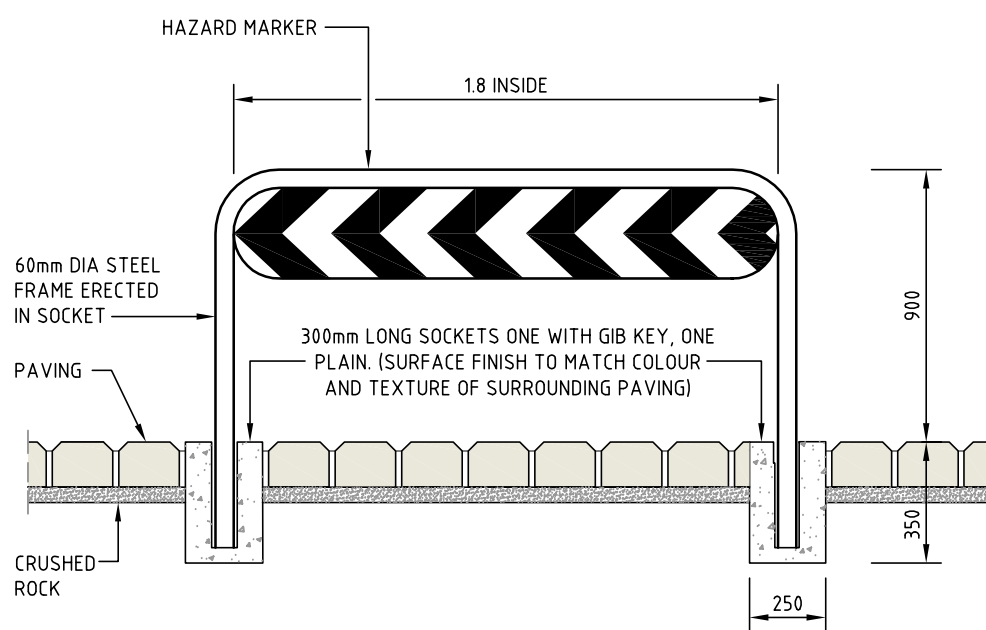


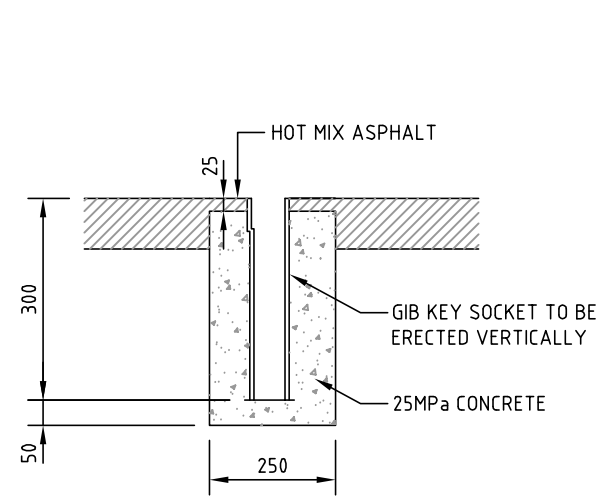
HAZARD MARKER INSTALLATION DETAIL  
(IN ASPHALT)



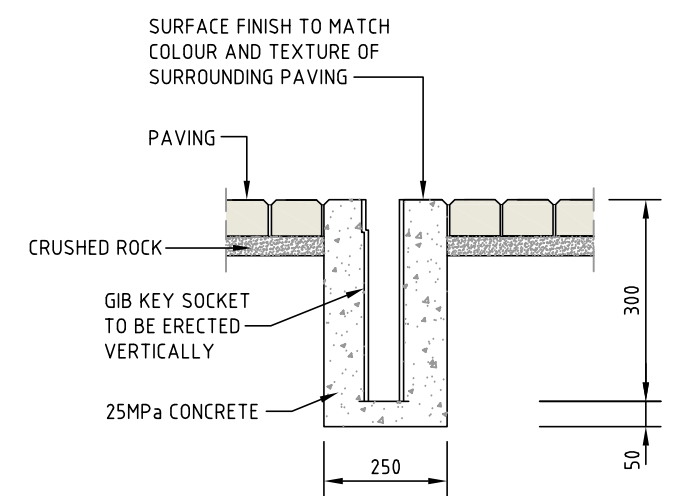
HAZARD MARKER INSTALLATION DETAIL  
(IN SOIL)



HAZARD MARKER INSTALLATION DETAIL  
(IN PAVING)



ARRANGEMENT OF SOCKET DETAIL  
(IN ASPHALT)



ARRANGEMENT OF SOCKET DETAIL  
(IN PAVING)

NOT TO SCALE



Rev.	Revision Details	By	Date

HAZARD MARKER AND  
SOCKET INSTALLATION DETAILS

ENGINEERING SERVICES BRANCH

Approved By		Drawing Number	
Principal Engineer Infrastructure		1P 50403	
Date		Revision	
Nov, 2010	Nov, 2010	E	
Date		Docs	
Nov, 2010	Nov, 2010		