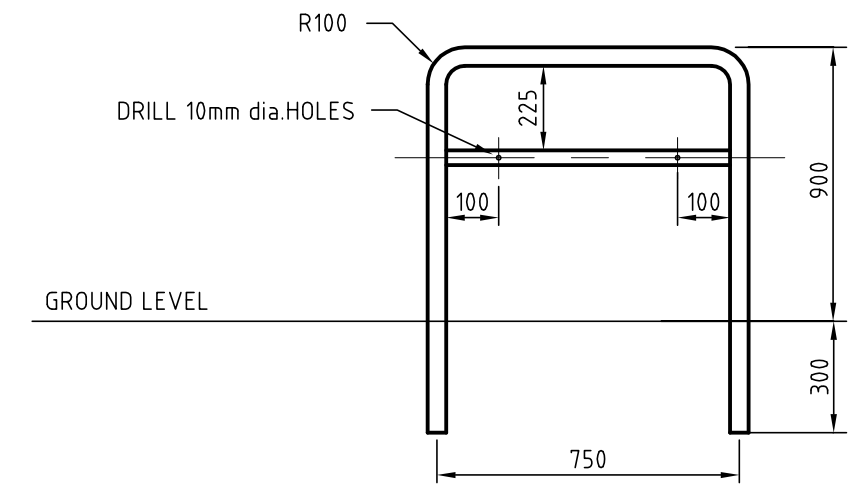
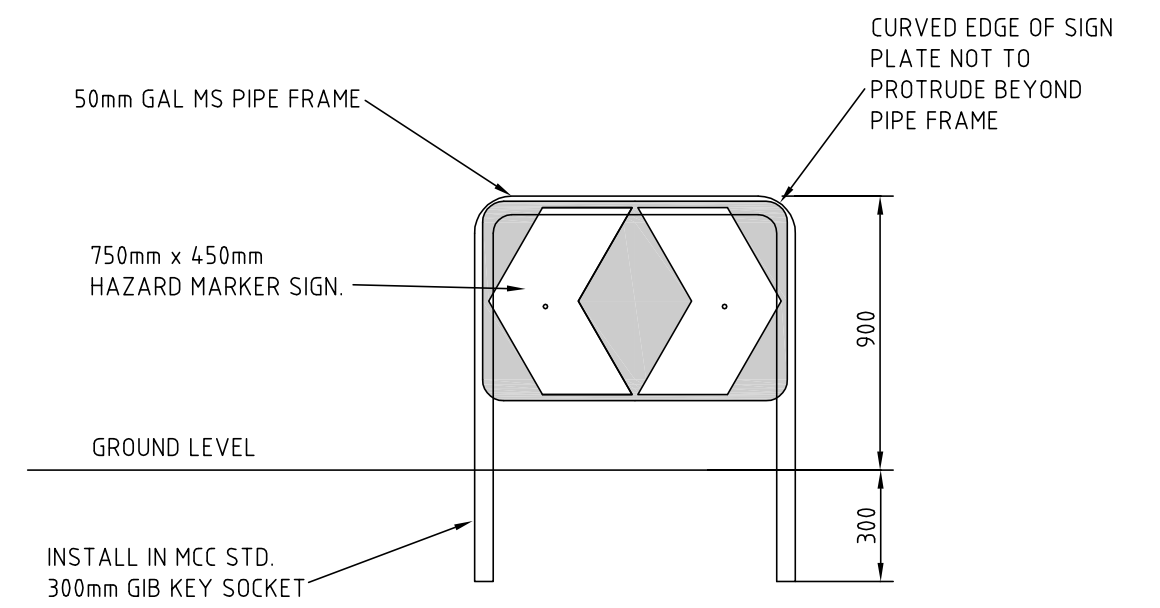


BENT PIPE FRAME
DIRECTIONAL HAZARD MARKER
DETAIL 1
NOT TO SCALE



BENT PIPE FRAME
BI-DIRECTIONAL HAZARD MARKER
DETAIL 2
NOT TO SCALE

NOT TO SCALE



Rev.	Revision Details	By	Date

**BENT PIPE HAZARD MARKER FRAMES
FABRICATION & INSTALLATION DETAILS**

ENGINEERING SERVICES BRANCH			
<i>Approved By</i>		<i>Drawing Number</i> 1P 50403B	
<i>Principal Engineer Infrastructure</i>	<i>Manager Engineering Services</i>	<i>Revision</i>	A
<i>Date</i> Apr, 2012	<i>Date</i> Apr, 2012	<i>Docs</i>	