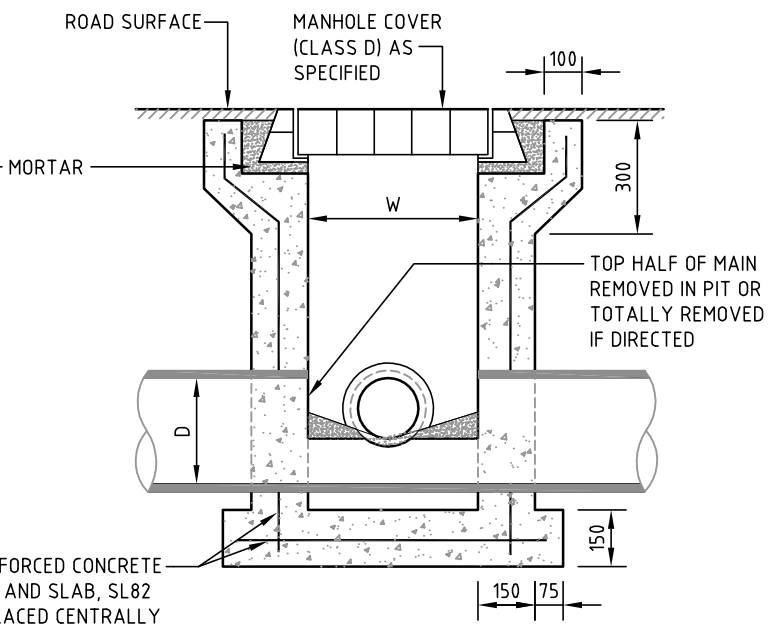
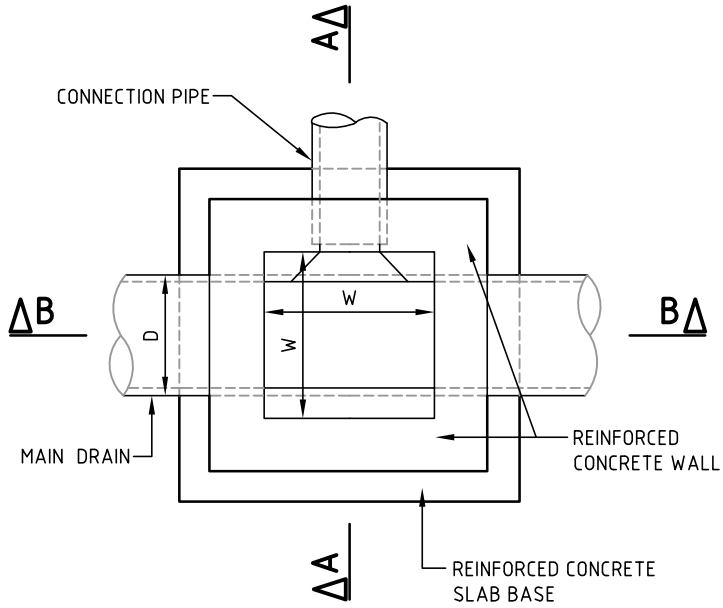


SECTION A-A



SECTION B-B



PLAN

D	W
300	600
375	700
450	800

NOTE :
 THE WALLS AND SLAB OF THE PIT SHALL BE 150mm CONCRETE, REINFORCED WITH SL82 MESH PLACED CENTRALLY.

NOT TO SCALE

ENGINEERING SERVICES BRANCH



DETAIL PLAN OF TYPICAL MANHOLE COVER

Approved By		Drawing Number	1P 50319
Principal Engineer Infrastructure	Manager Engineering Services	Revision	B
Date Nov, 2010	Date Nov, 2010	Docs Number	