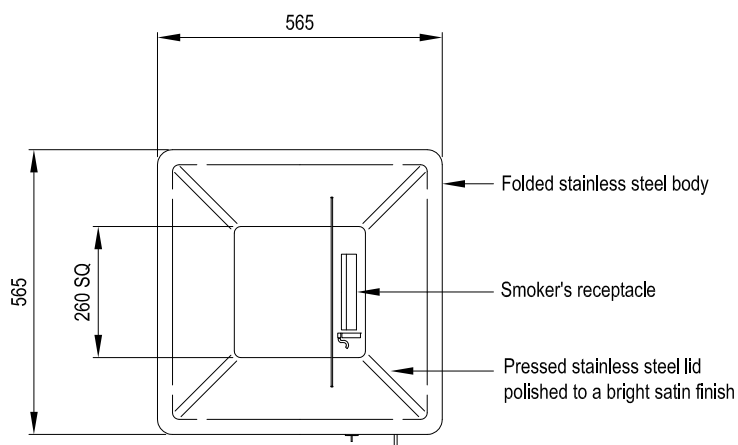


Section



Plan



The City litter bin is used within the Central City and Docklands, at regular intervals in areas of high pedestrian traffic. It should be placed within easy walking distance of food outlets or areas where people are likely to gather and consume food or drink.

The City litter bin will often be located in tandem with a City recycling bin (Design Standard 702.02) adjacent pedestrian crossing points. In such situations the City litter bin should be located closest to the pedestrian crossing.

The City litter bin is fabricated from perforated grade 316 stainless steel and is serviced by an 80 litre wheeled plastic bin.

For fabrication & installation drawings, refer to City of Melbourne, City Design drawings; Project No: 903015 - 80 Litre Bin