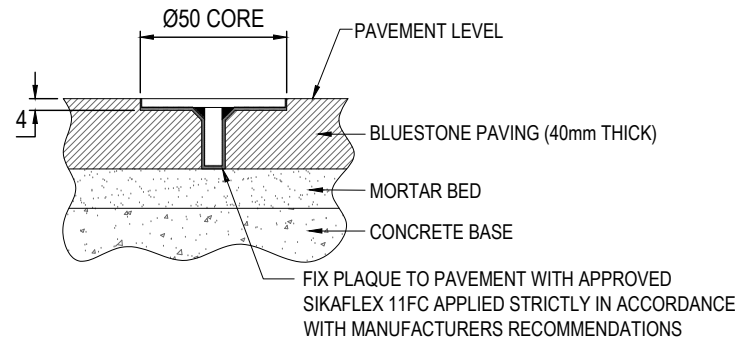
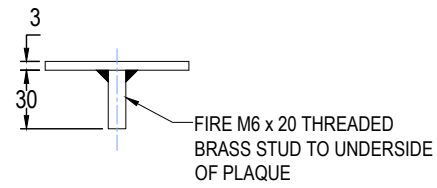
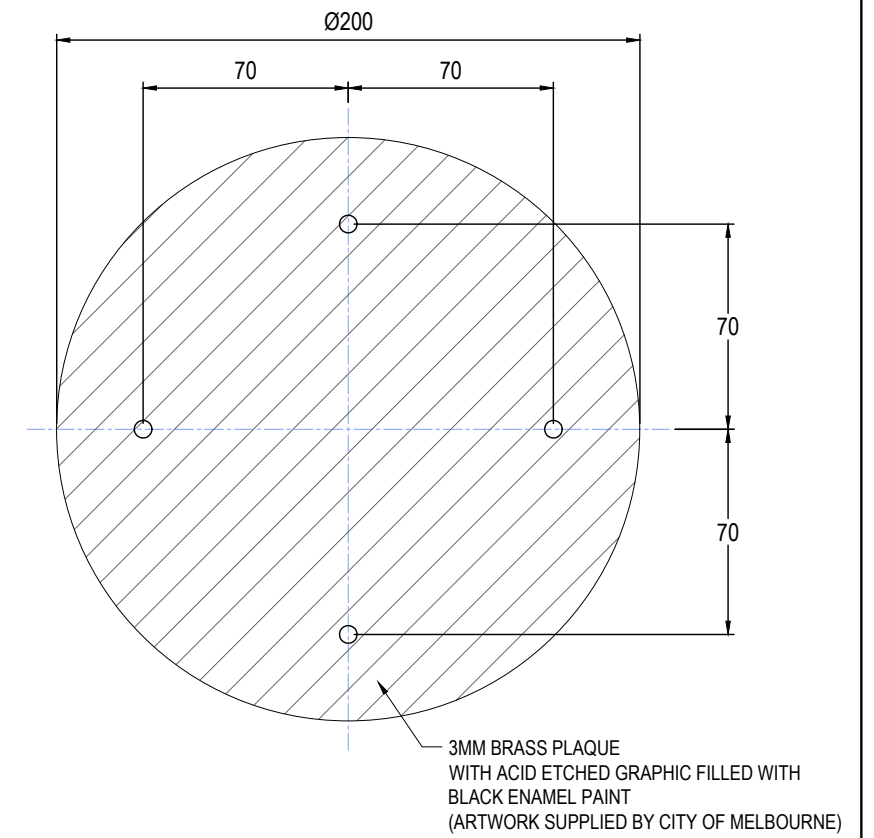


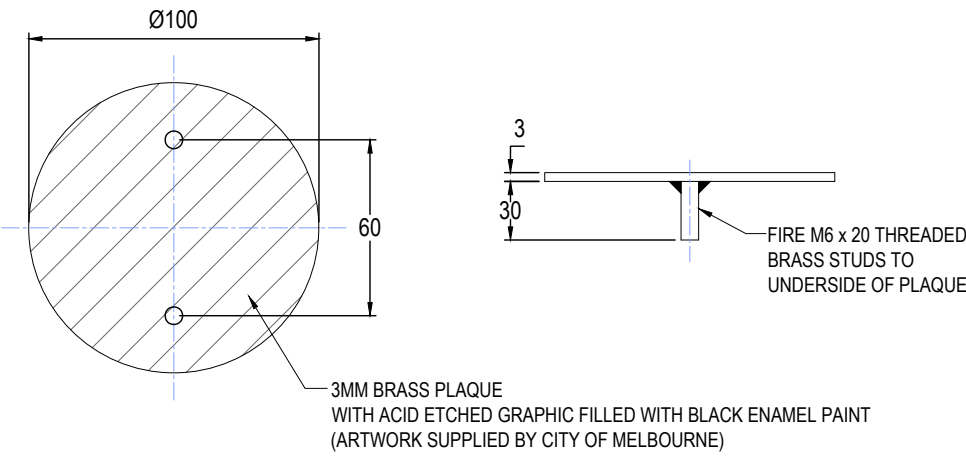
PLAQUE - TRAIL



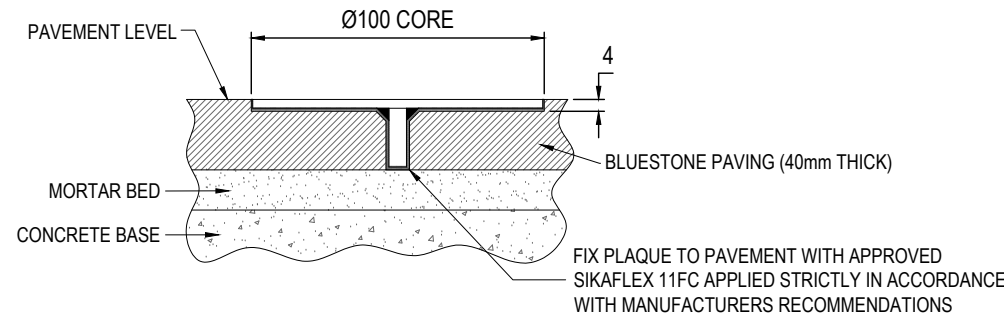
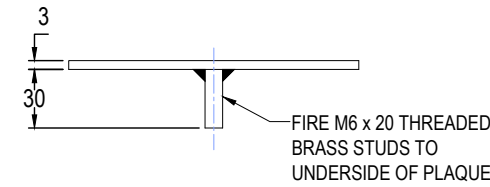
INSTALLATION - TRAIL



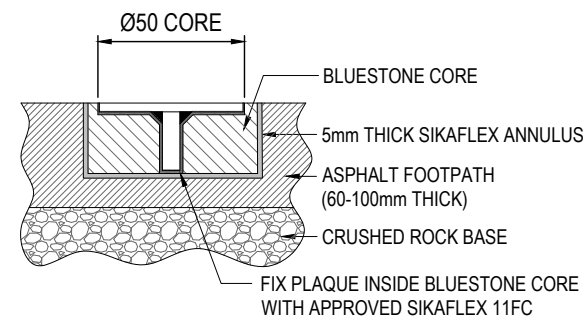
PLAQUE - SIGNIFICANT BUILDING



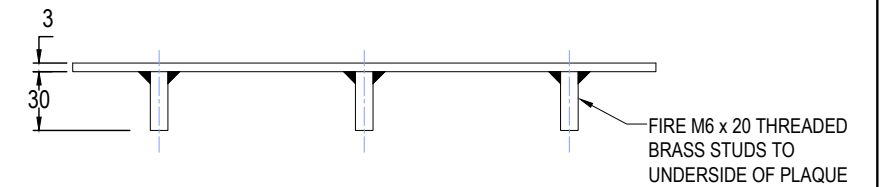
PLAQUE - GOLDEN MILE



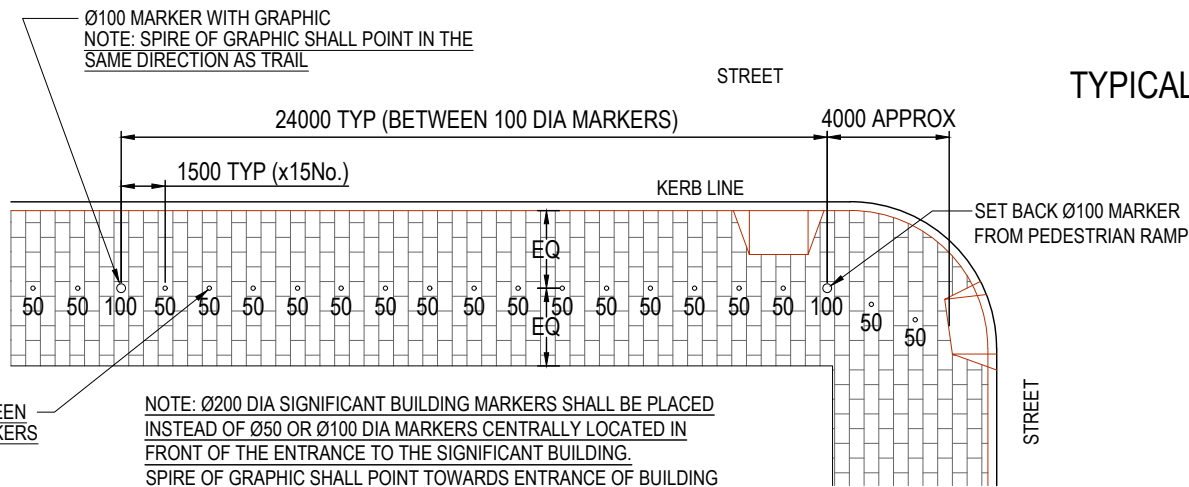
INSTALLATION - GOLDEN MILE



TYPICAL INSTALLATION - ASPHALT FOOTPATH



INSTALLATION - SIGNIFICANT BUILDING



PLAN VIEW

MARKER LAYOUT BLUESTONE AND ASPHALT FOOTPATHS

NOT TO SCALE



CITY OF MELBOURNE

Rev.	Revision Details	By	Date

GOLDEN MILE PLAQUES
INSTALLATION DETAILS

ENGINEERING SERVICES BRANCH

Approved By		Drawing Number	
Principal Engineer Infrastructure		1P 50523	
Date Jul, 2019		Revision	
Manager Engineering Services		A	
Date Jul, 2019		Docs	