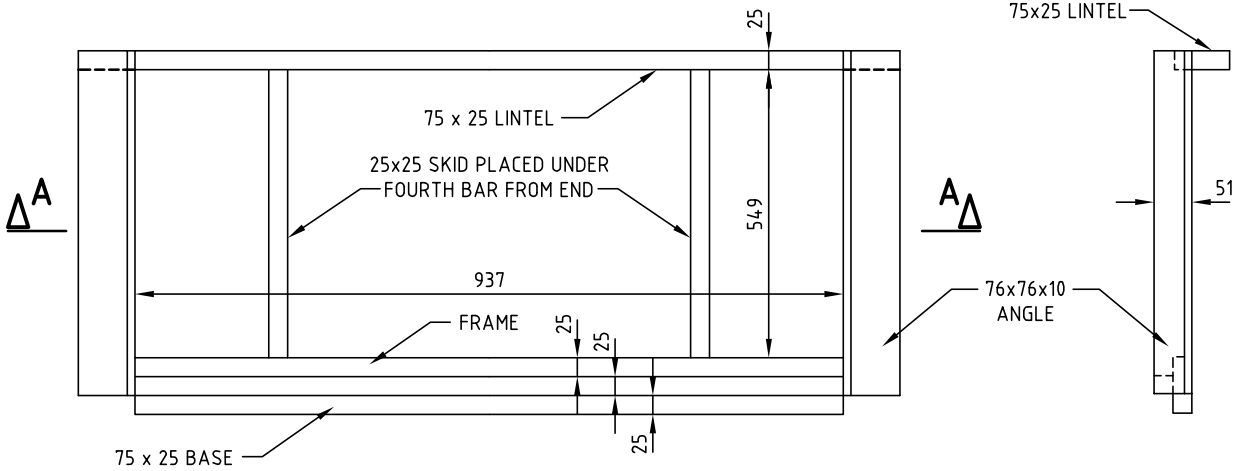
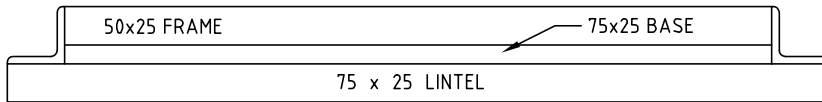


SECTION A - A

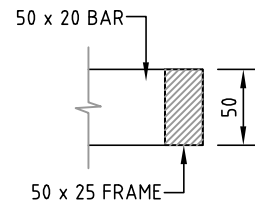


PLAN OF FRAME

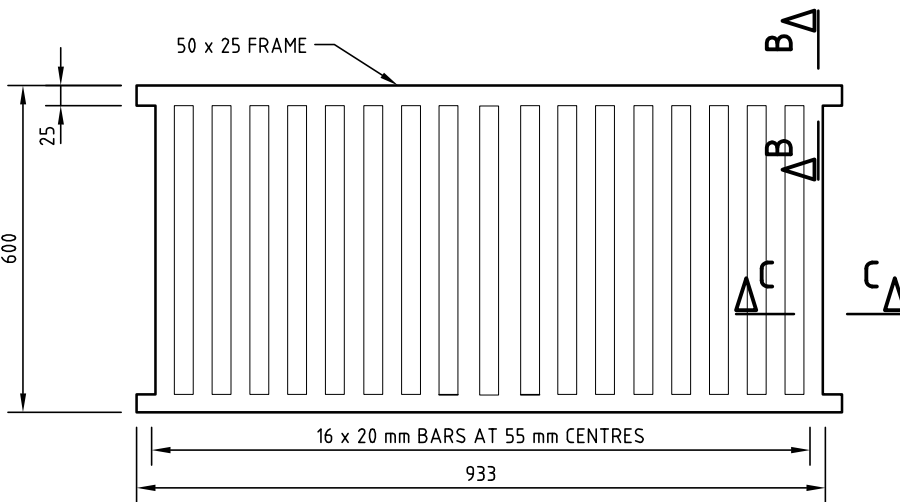
END ELEVATION



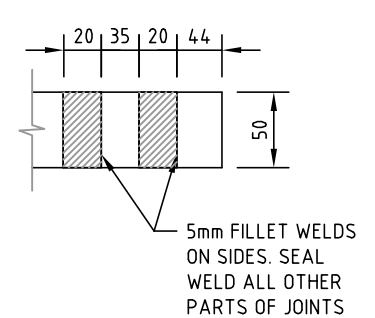
ELEVATION (FROM BACK)



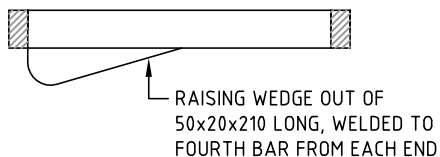
SECTION B-B
(ENLARGED)



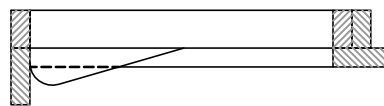
PLAN OF GRATING



SECTION C-C
(ENLARGED)



SECTION OF GRATE



SECTION OF ASSEMBLY

NOT TO SCALE



CITY OF MELBOURNE

ENGINEERING SERVICES BRANCH

STANDARD 937 x 549 mm
FRAME AND GRATING
STREET TYPE

Approved By		Drawing Number	1P 50306
Principal Engineer Infrastructure	Manager Engineering Services	Revision	E
Date Nov, 2010	Date Nov, 2010	Docs Number	