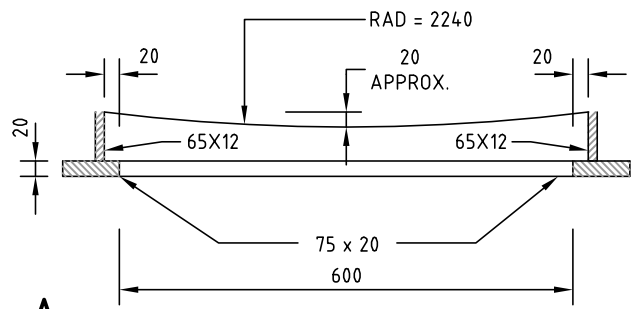
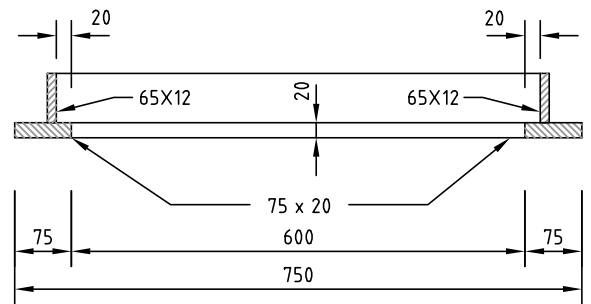


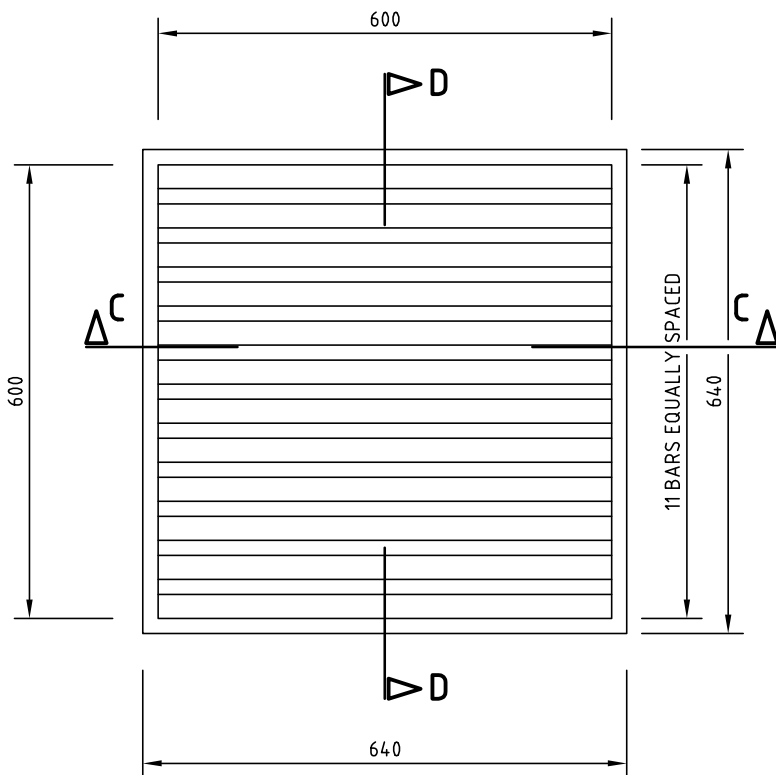
PLAN OF FRAME



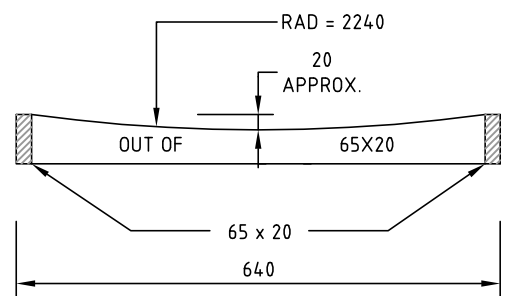
SECTION A-A



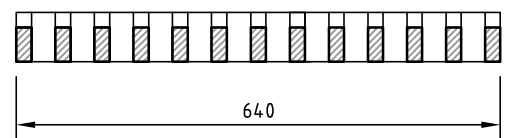
SECTION B-B



PLAN OF GRATING



SECTION C-C



SECTION D-D

NOT TO SCALE



CITY OF MELBOURNE

ENGINEERING SERVICES BRANCH

**STANDARD 600mm SQUARE
LANE TYPE
FRAME AND GRATING**

Approved By

Principal Engineer
Infrastructure

Date Nov, 2010

Manager
Engineering Services

Date Nov, 2010

Drawing
Number

1P 50316

Revision

B

Docs
Number