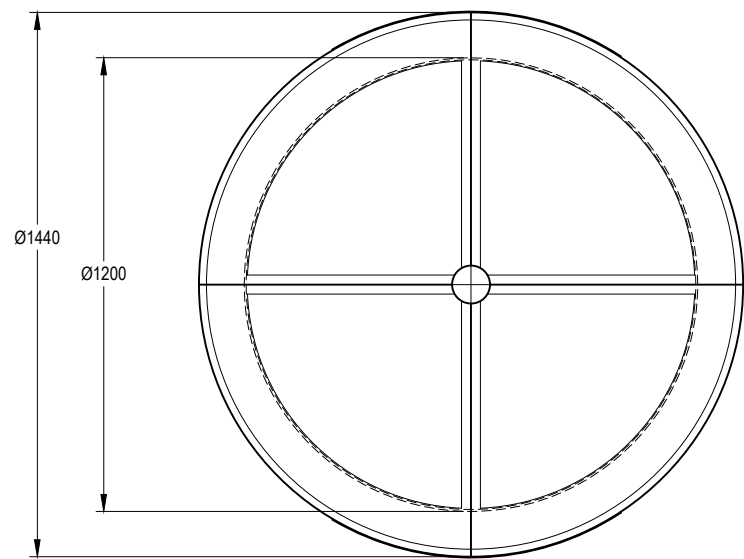
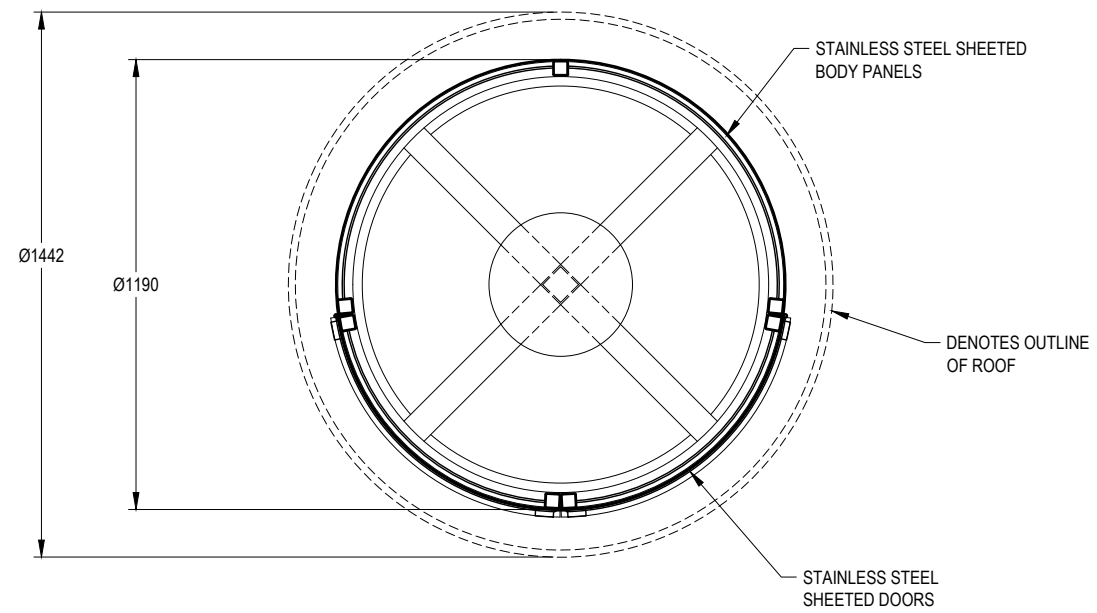


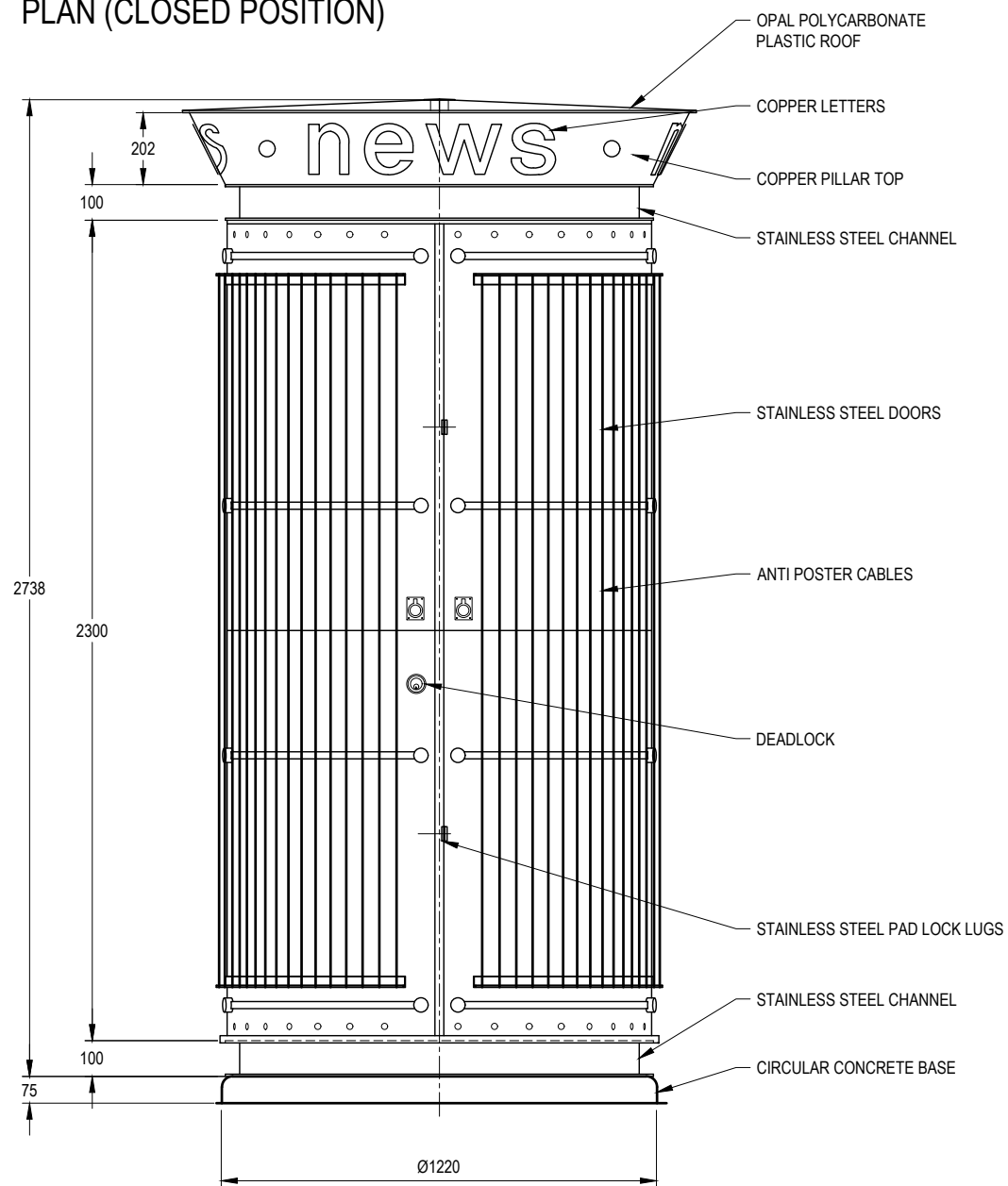
DO NOT SCALE - USE WRITTEN DIMENSIONS ONLY		
No	DATE	AMENDMENTS
		AUT



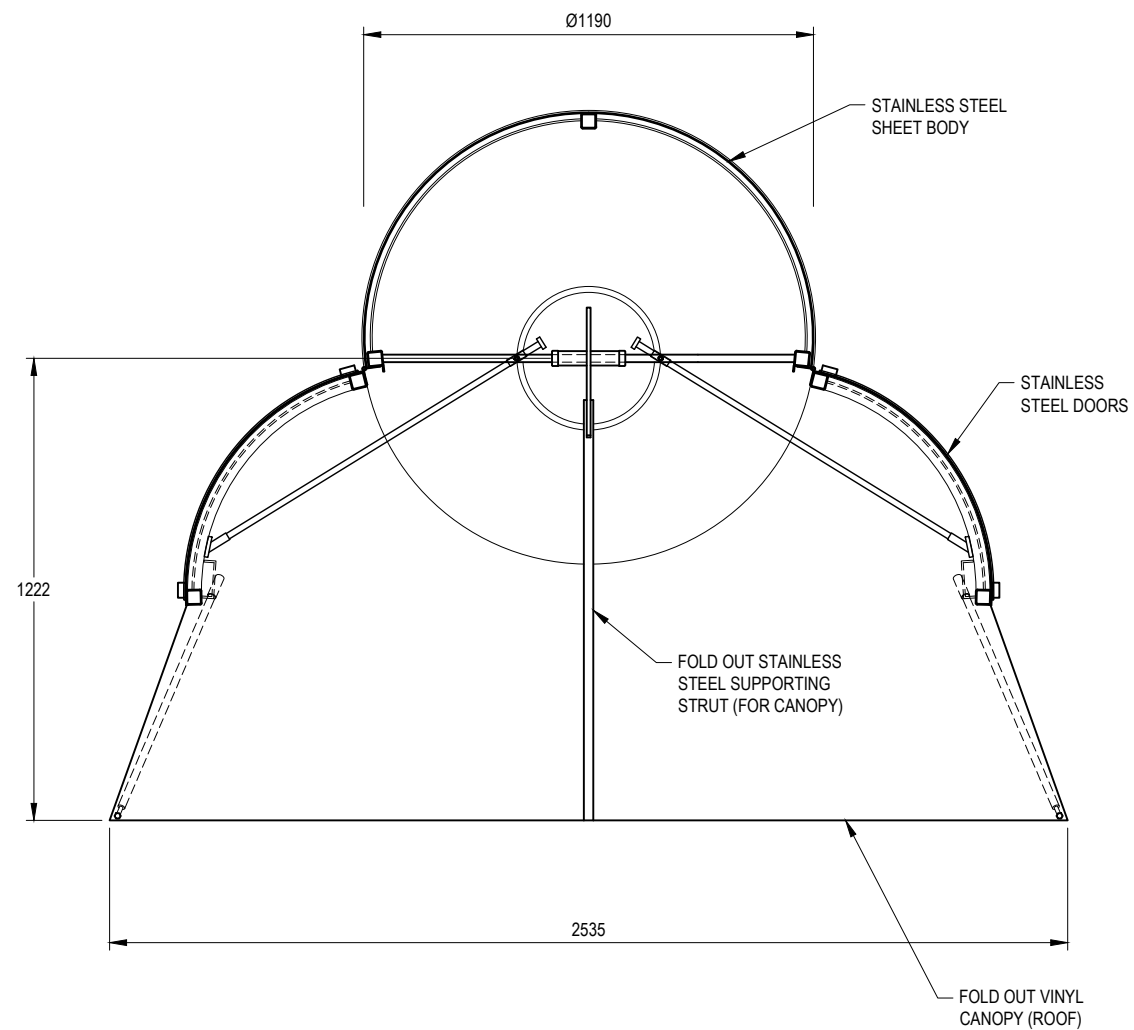
PLAN (CLOSED POSITION)



PLAN VIEW SECTION (CLOSED POSITION)



FRONT ELEVATION (CLOSED POSITION)



PLAN VIEW SECTION (OPEN POSITION)

**CITY OF MELBOURNE**  
**CITY DESIGN STUDIO**  
 LEVEL 6/ 240 LT COLLINS STREET  
 MELBOURNE VIC 3000  
 TELEPHONE: (03) 9658 9658  
 FACSIMILE: (03) 9658 8840

CLIENT: STREET ACTIVITY  
 PROJECT: NEWSPAPER PILLAR

DRAWING: PLAN, ELEVATIONS & SECTION  
 STATUS: PRELIMINARY

PASSED / REVIEWED	APPROVED / AUTH. FOR USE
NORTH POINT	DESIGN: ISD DRAWN: KAJ
	A1: 1:20 A3: NTS
	DATE PLOTTED: 10 AUG 2015
PROJ. NO.: 900753	DWG. NO.: F01 REV.: 1

© COPYRIGHT 2015 CITY OF MELBOURNE